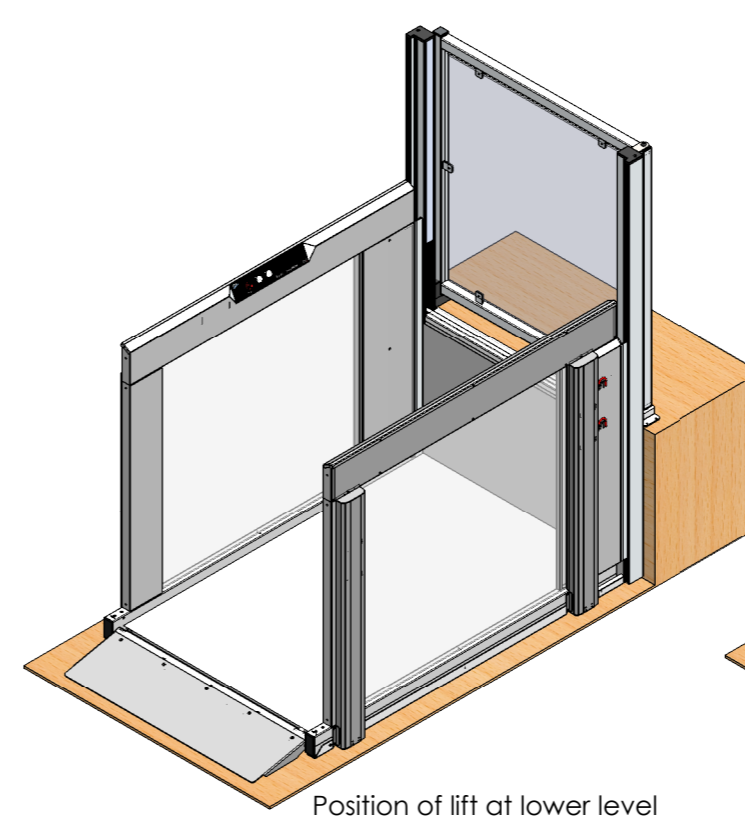
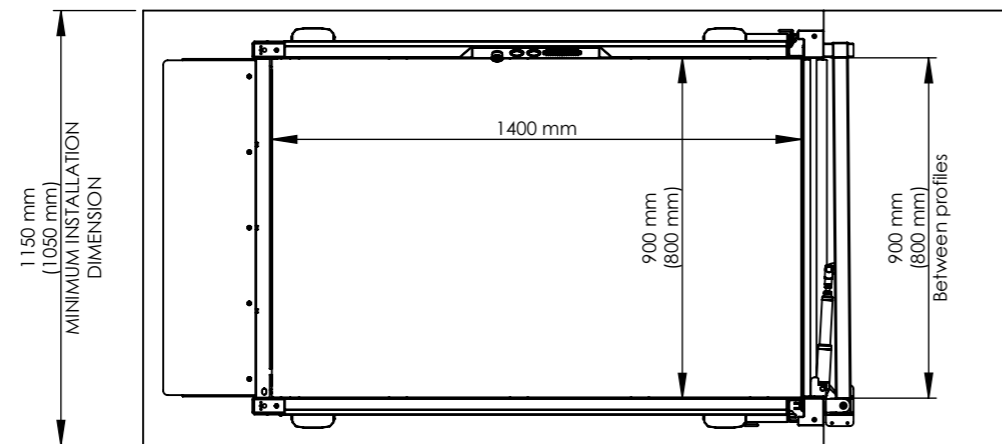
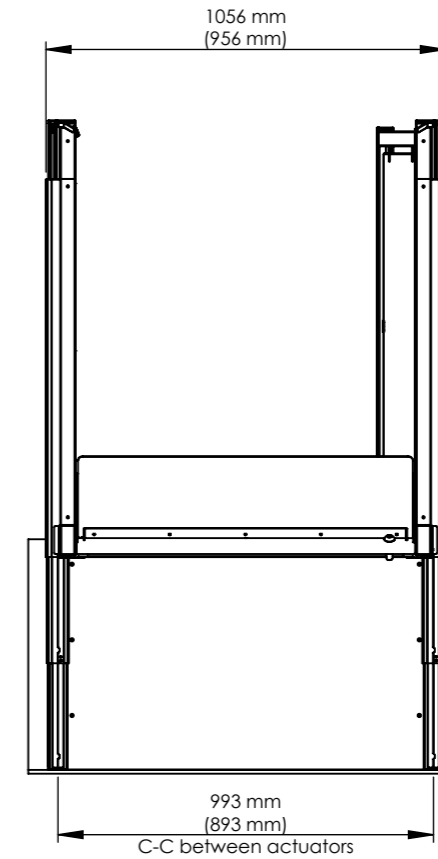
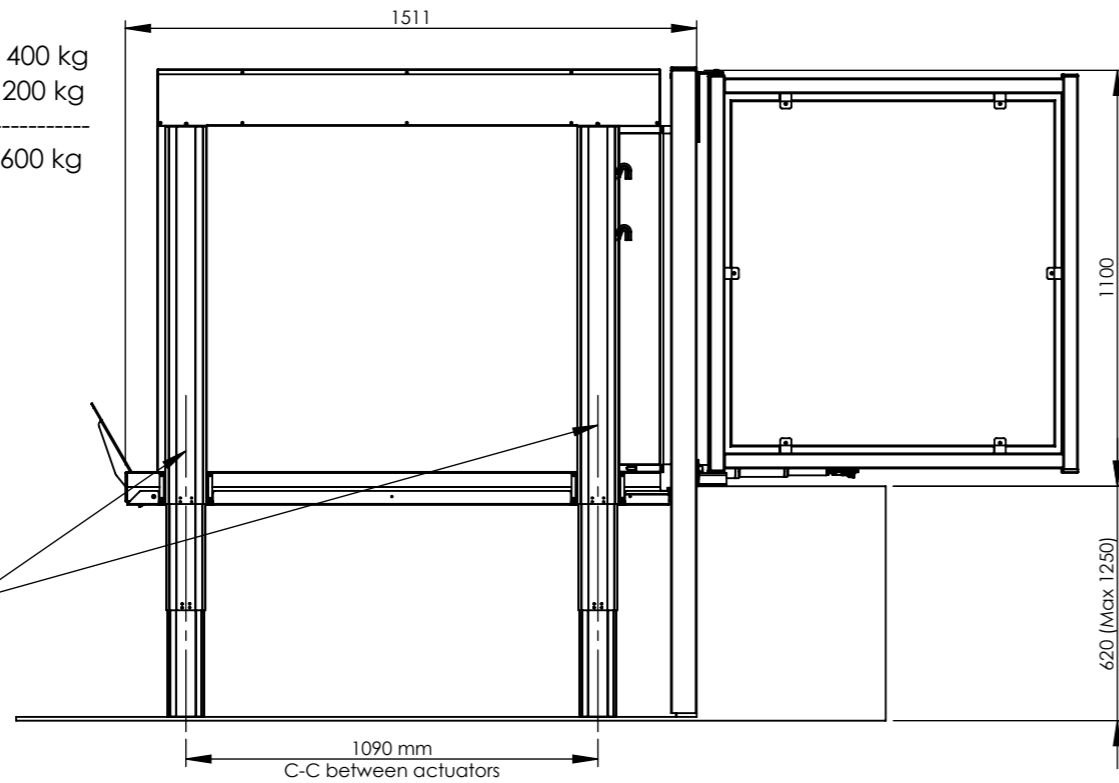


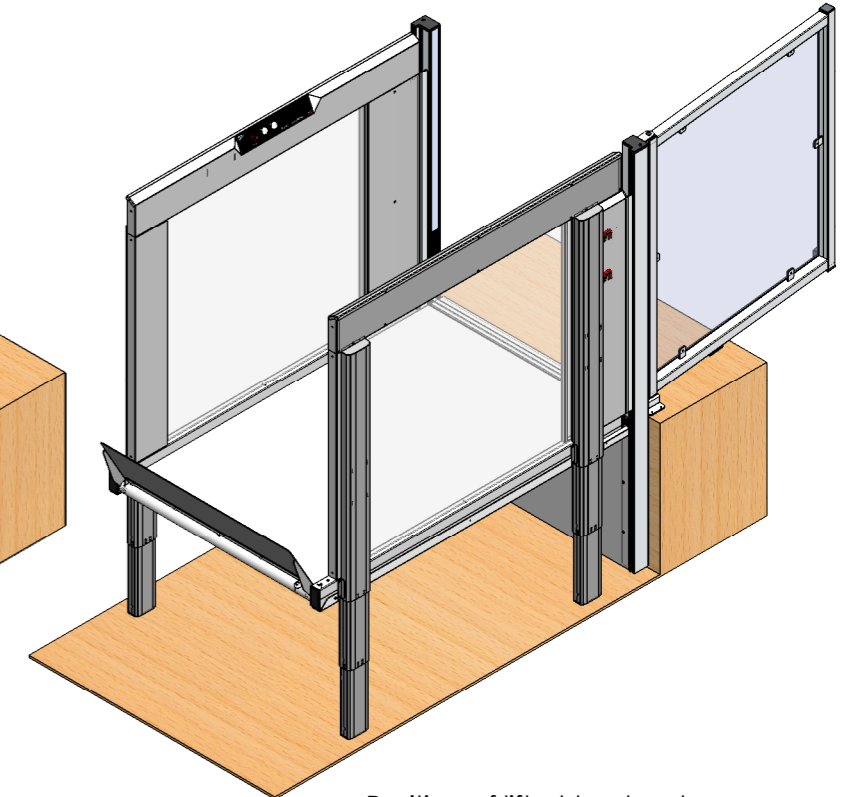
Max. load on EasyLift V3 = 400 kg
 Machine load = 200 kg

 Total load = 600 kg

Max. static load/actuator 200 kg



Position of lift at lower level



Position of lift at top level

Dimensions for model 900
 (Dimensions for model 800)

Rev.	By	✓	Revision description.	EasyLift 800 & 900 V3 PLUS			
G	-	-		Created date:	22-10-2018	Last change date:	22-10-2018
F	-	-		Materiale:	mm Bom	Tolerancer:	Sheet size: A3
E	-	-		Finish:	-	Weight:	Item Number: 104848
D	-	-					Version: A
C	-	-					Scale: 1:20
B	-	-					Drawn by: JGJ ✓

