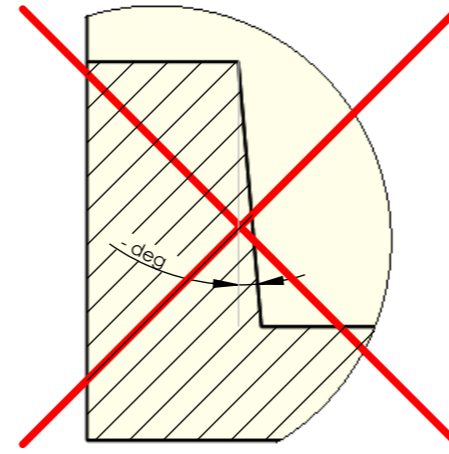
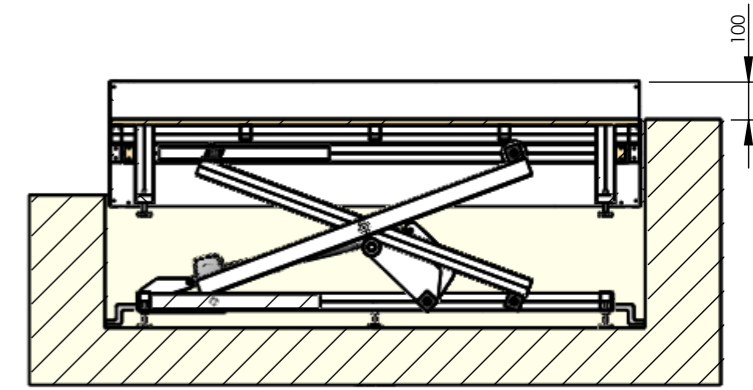


Allowed Positive draft

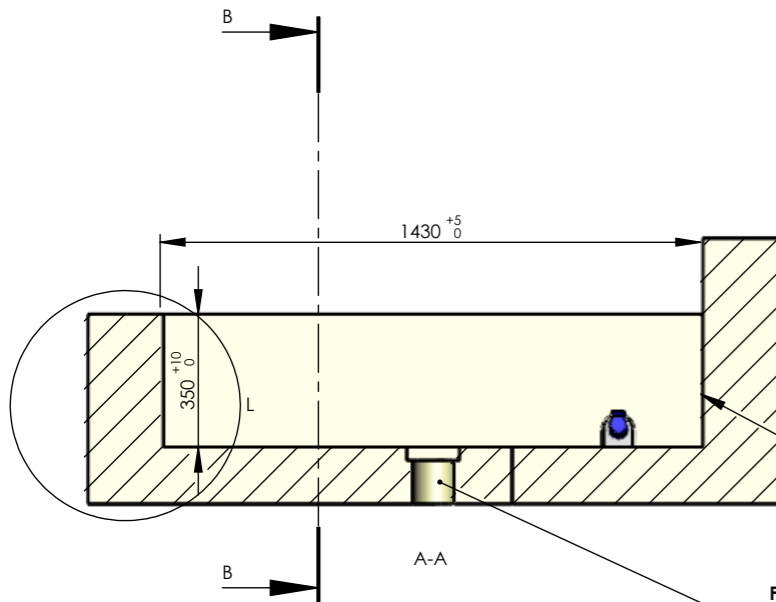
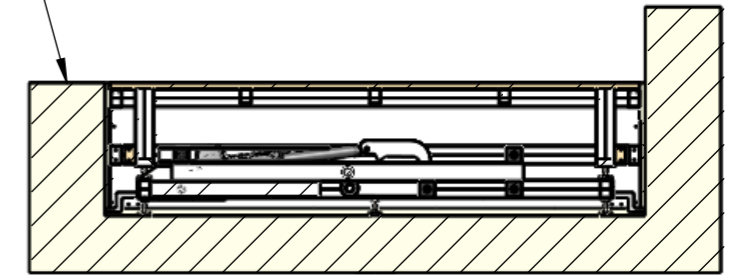


Not Allowed Negative draft

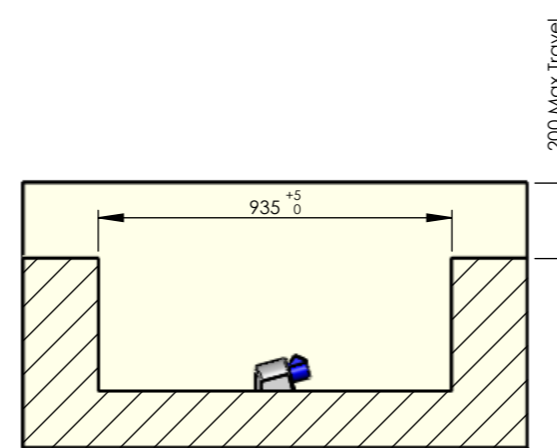
Platform in Top Position



Platform in Low Position



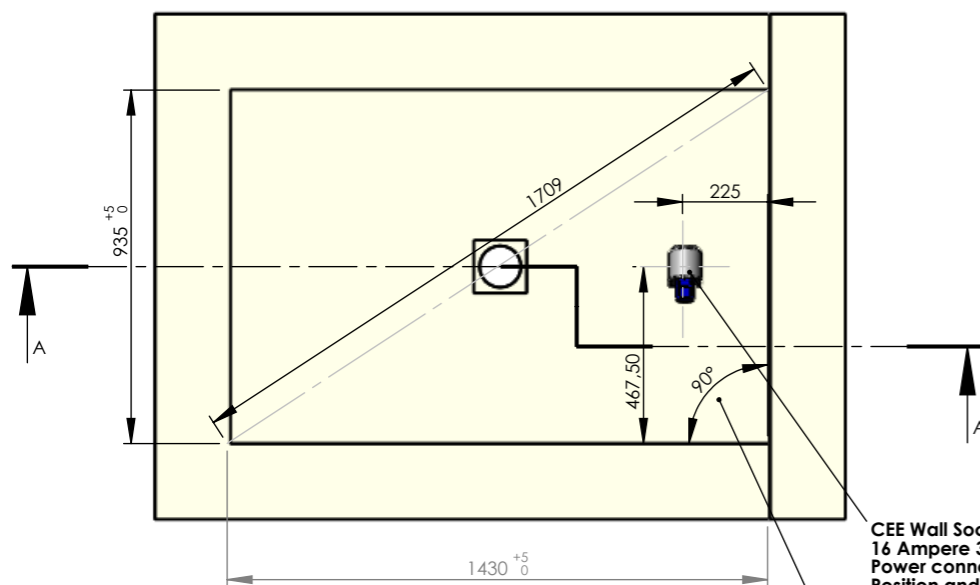
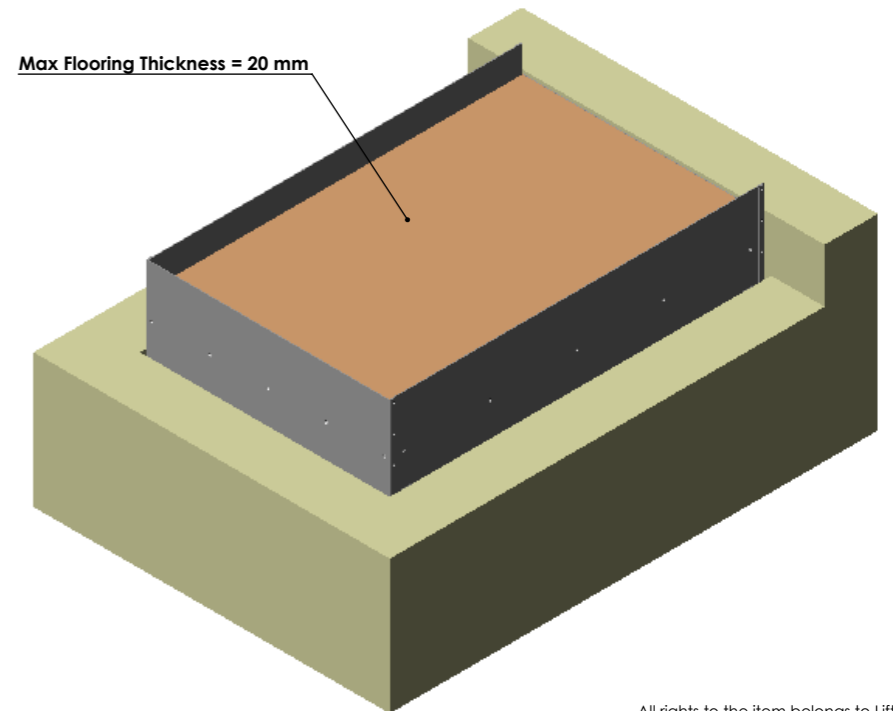
Cables are not allowed on pit walls, due to tight fit of platform skirt.



B-B

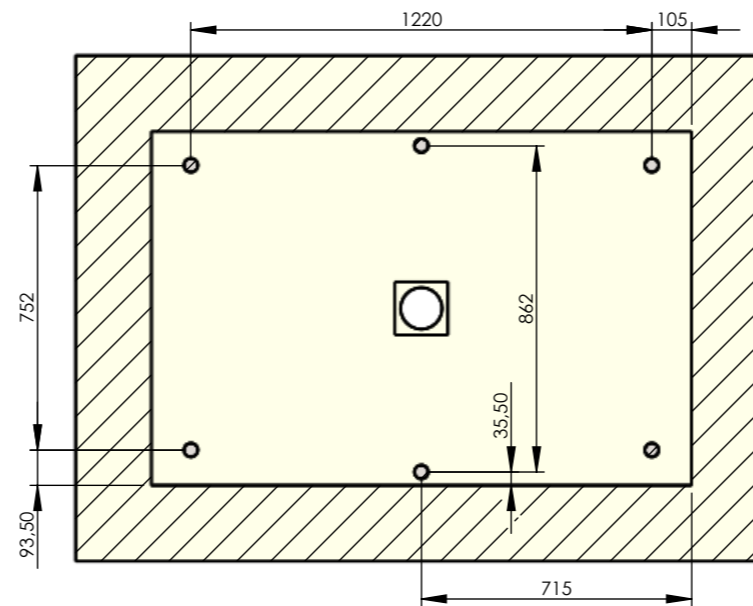
For out door use drain is required
Drain according to local legislation

Max Flooring Thickness = 20 mm



All 4 corners

CEE Wall Socket IP44 (Part no. 102126)
16 Ampere 3 Pole
Power connection 230 VAC 10 A
Position and type is important due to moving parts



All rights to the item belongs to Liftup

Rev.	Revision description.	HDN 900x1400: Short Side Exit, Travel < 200 mm		LIFTUP	
G	-	Created date:	Last change date:	www.liftup.dk	
F	-		10-12-2012	Tlf.: +45 9686 3020	
E	-	Materiale:	Tolerancer:	Sheet size	Item Number:
D	-			A3	101520
C	-	Finish:	Weight:		Version:
B	-				B
				Scale:	Drawn by:
				1:20	