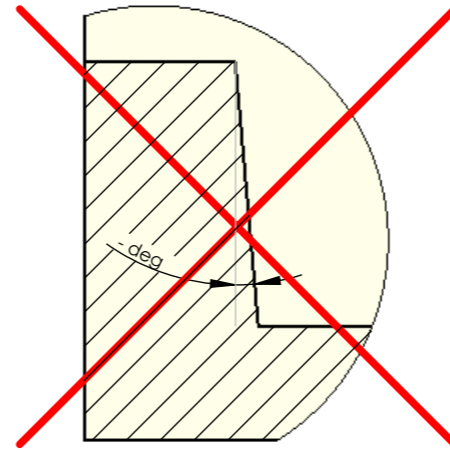
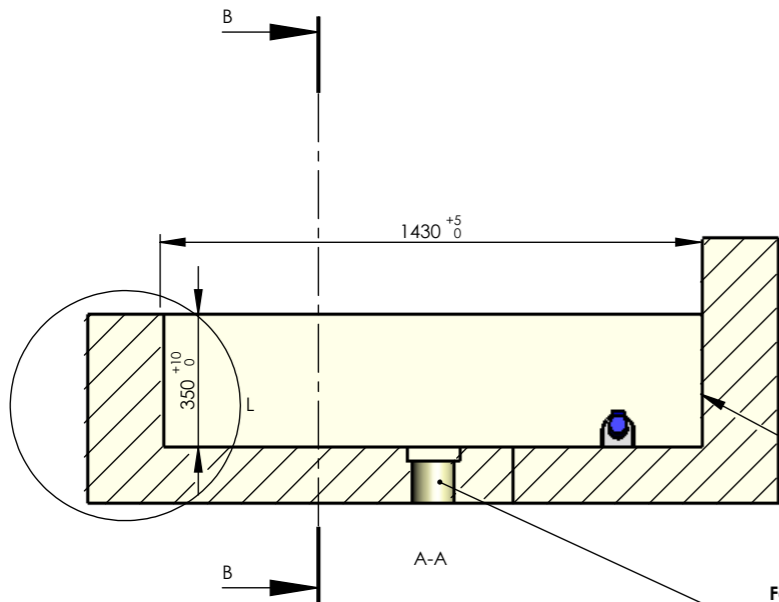
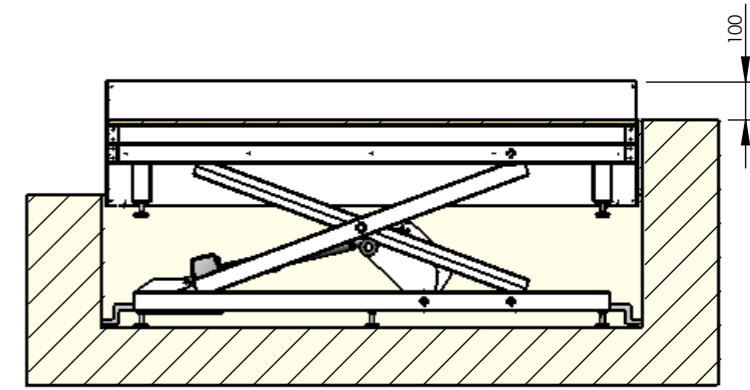


Allowed Positive draft

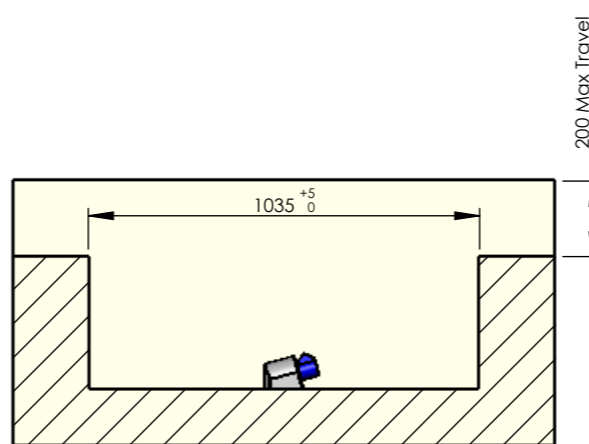


Not Allowed Negative draft

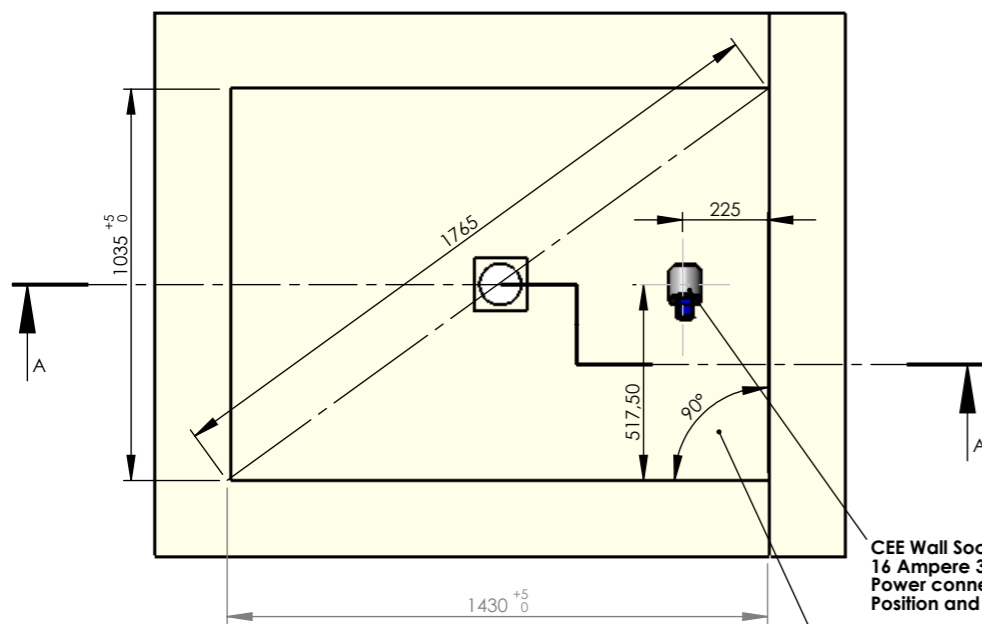
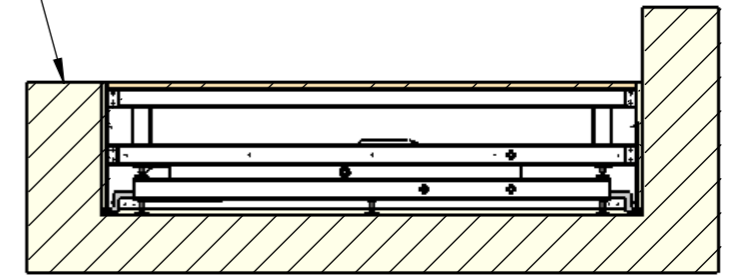


Cables are not allowed on pit walls, due to tight fit of platform skirt.

For out door use drain is required Drain according to local legislation

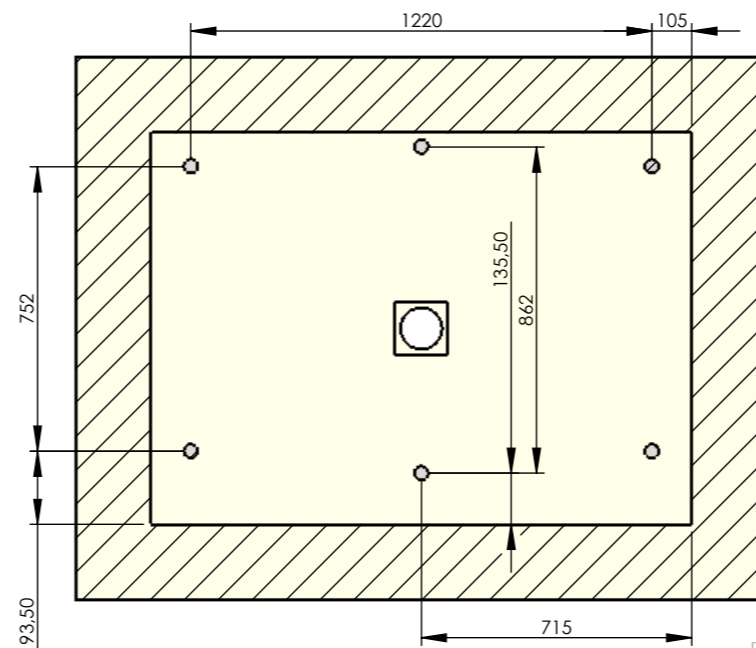


Platform is flush with Ground Level

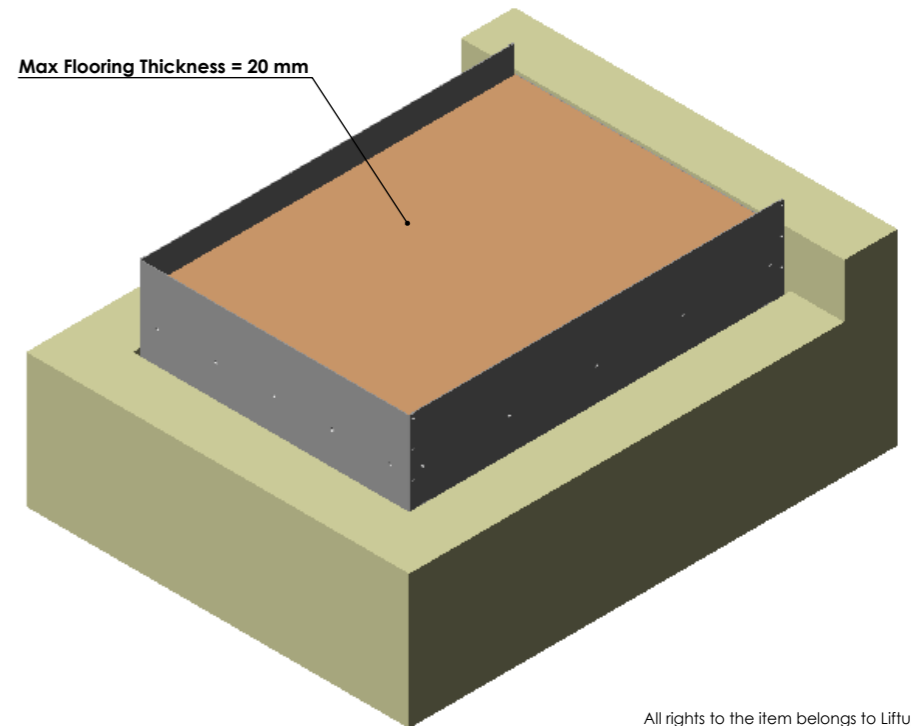


CEE Wall Socket IP44 (Part no. 102126)  
16 Ampere 3 Pole  
Power connection 230 VAC 10 A  
Position and type is important due to moving parts

All 4 corners



Max Flooring Thickness = 20 mm



All rights to the item belongs to Liftup

Rev.	Revision description.	HDN 1000x1400: Short Side Exit, Travel < 200 mm		LIFTUP	
G	-	Created date:	Last change date:	www.liftup.dk	
F	-		27-02-2013	Tlf.: +45 9686 3020	
E	-	Materiale:	Tolerancer:	Sheet size	Item Number:
D	-			A3	101522
C	-	Finish:	Weight:		Version: C
B	-			Scale:	1:20