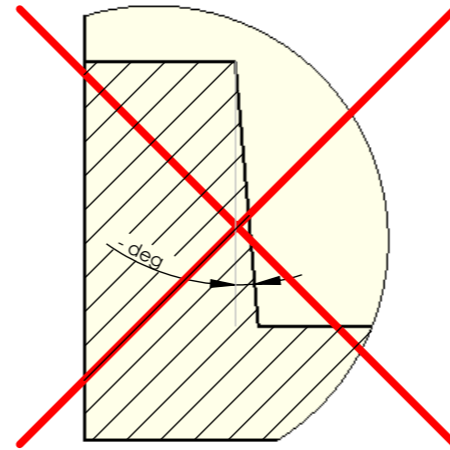
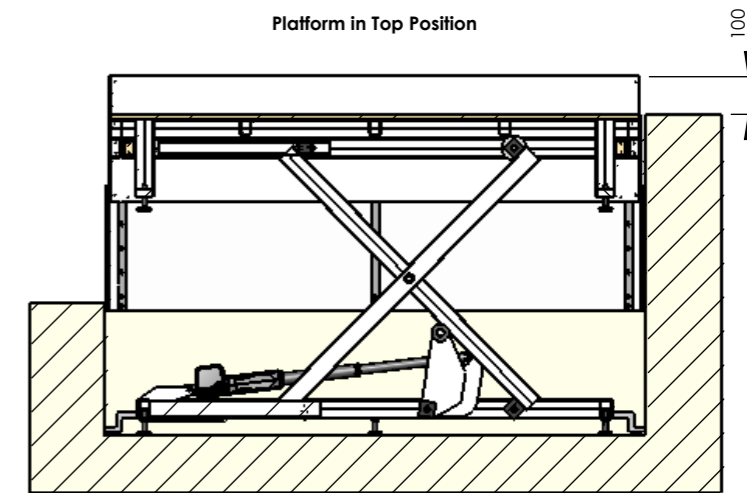


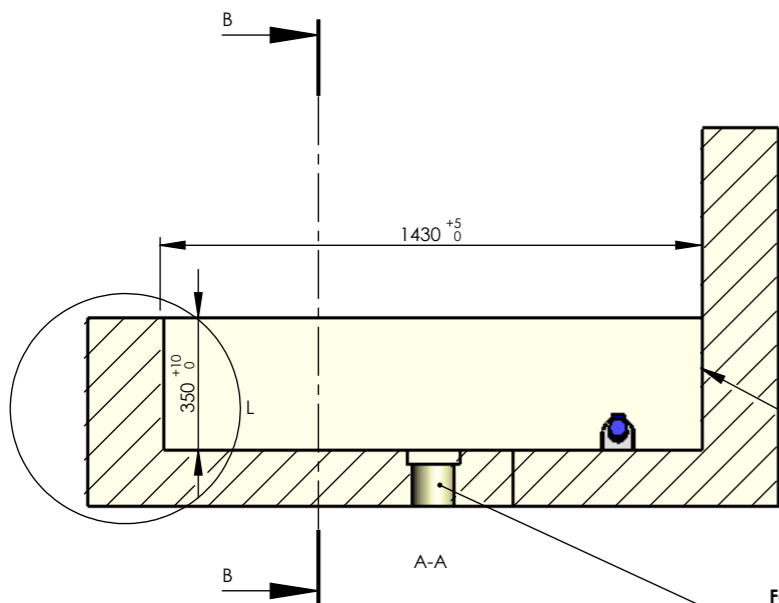
Allowed Positive draft



Not Allowed Negative draft

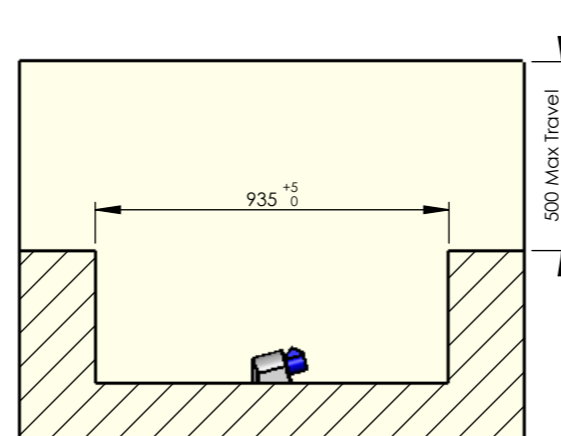


Platform in Top Position

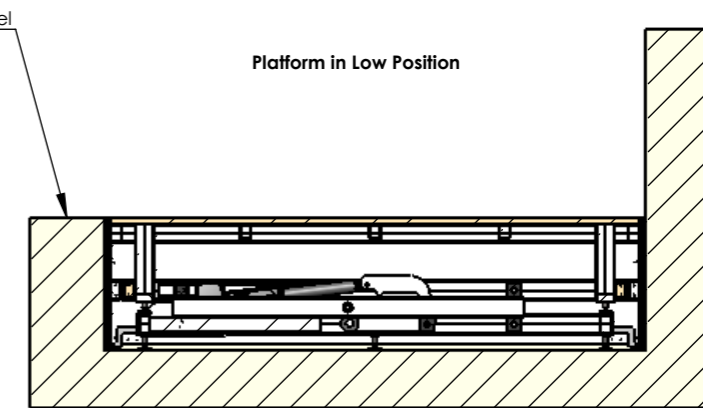


Cables are not allowed on pit walls, due to tight fit of platform skirt.

For out door use drain is required
Drain according to local legislation



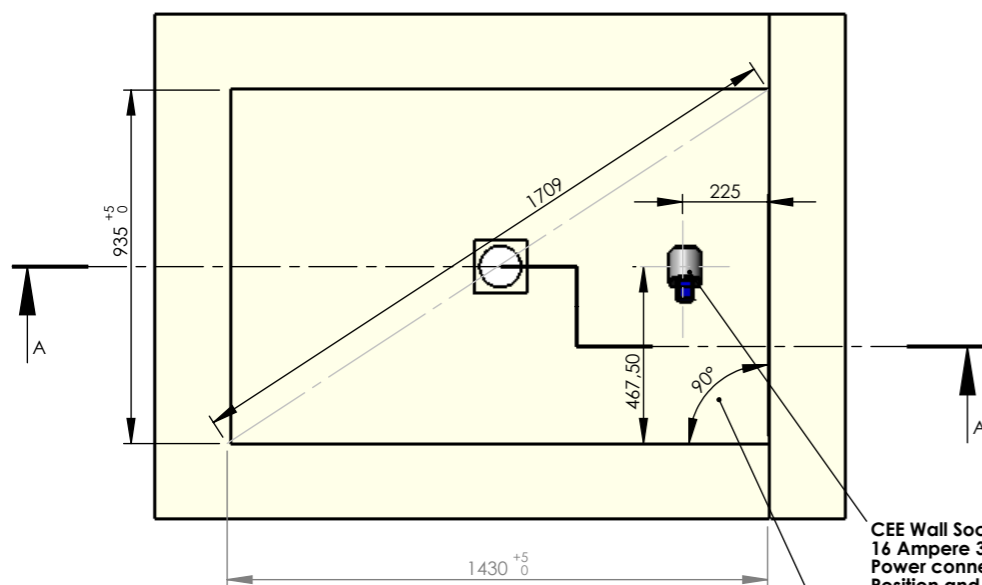
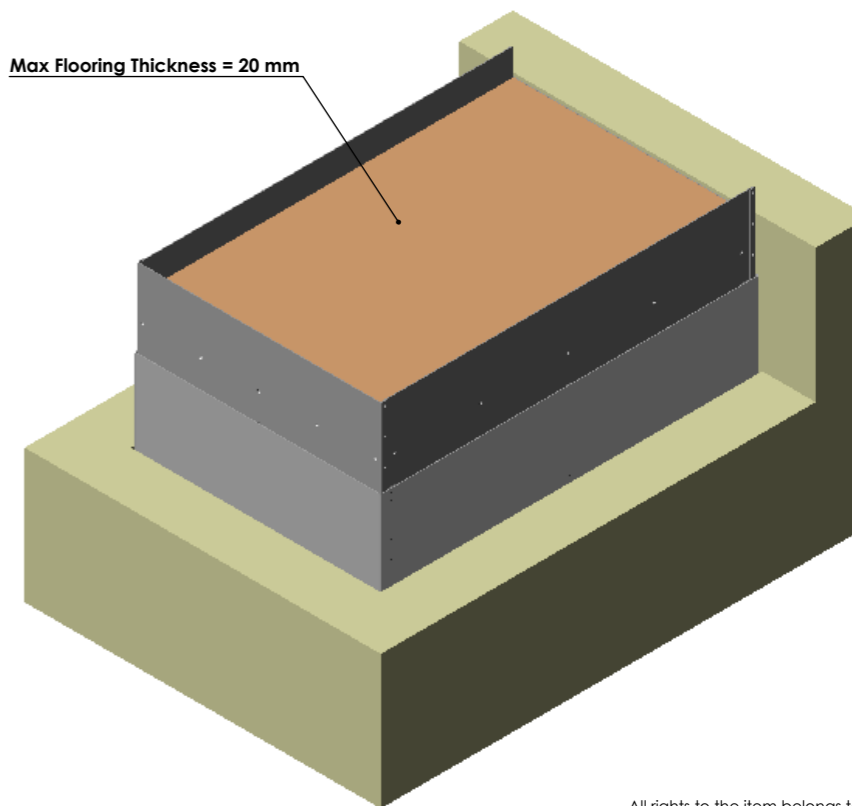
B-B



Platform in Low Position

Platform is flush with Ground Level

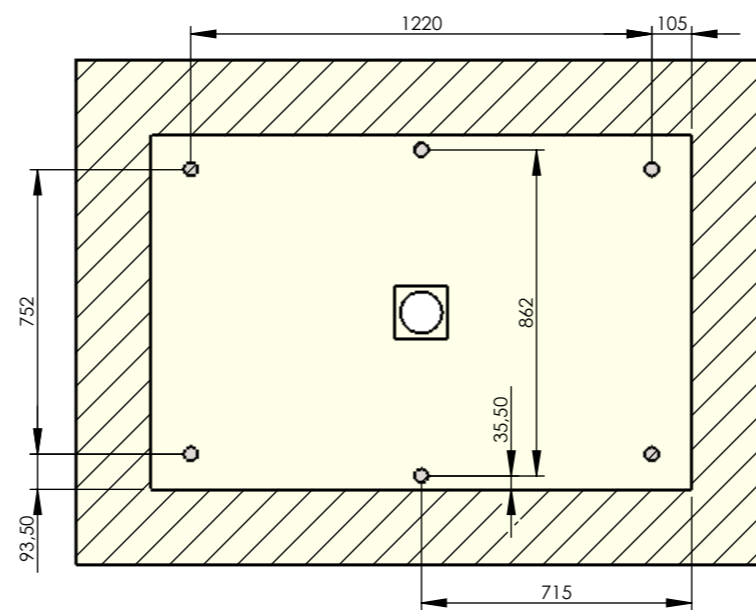
Max Flooring Thickness = 20 mm



CEE Wall Socket IP44 (Part no. 102126)
16 Ampere 3 Pole
Power connection 230 VAC 10 A
Position and type is important due to moving parts

All 4 corners

Platform support points



All rights to the item belongs to Liftup

Rev.	Revision description.	HDN 900x1400: Short Side Exit, Travel > 200 mm		LIFTUP	
G	-	Created date:	Last change date:	www.liftup.dk	
F	-		19-11-2012	Tlf.: +45 9686 3020	
E	-	Materiale:	Tolerancer:	Sheet size	Item Number:
D	-			A3	102138
C	-	Finish:	Weight:	Version:	B
B	-			Scale:	1:20