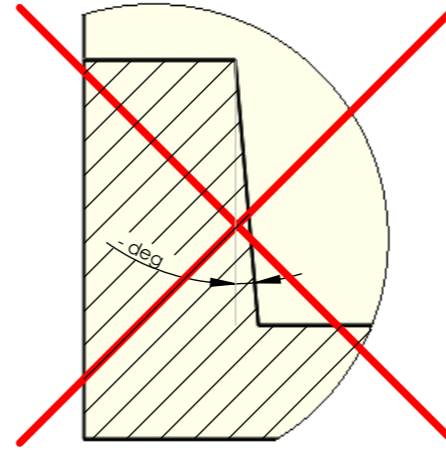
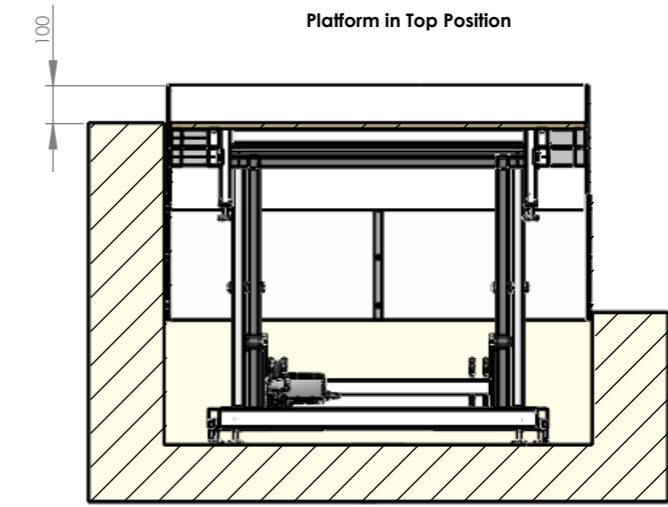


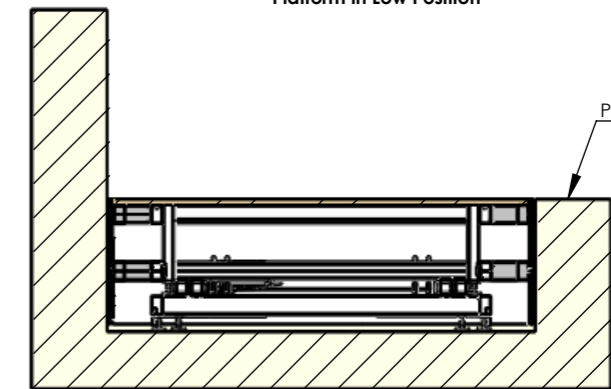
Allowed
Positive draft allowed



Not Allowed
Negative draft

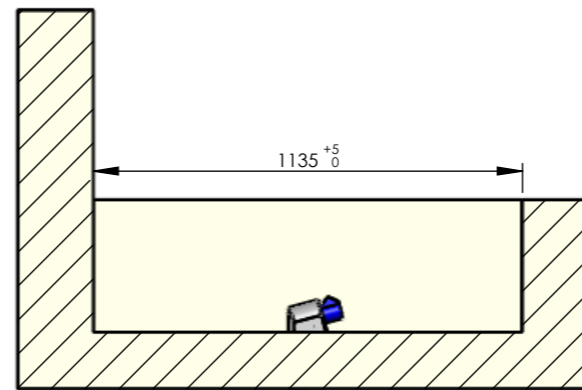
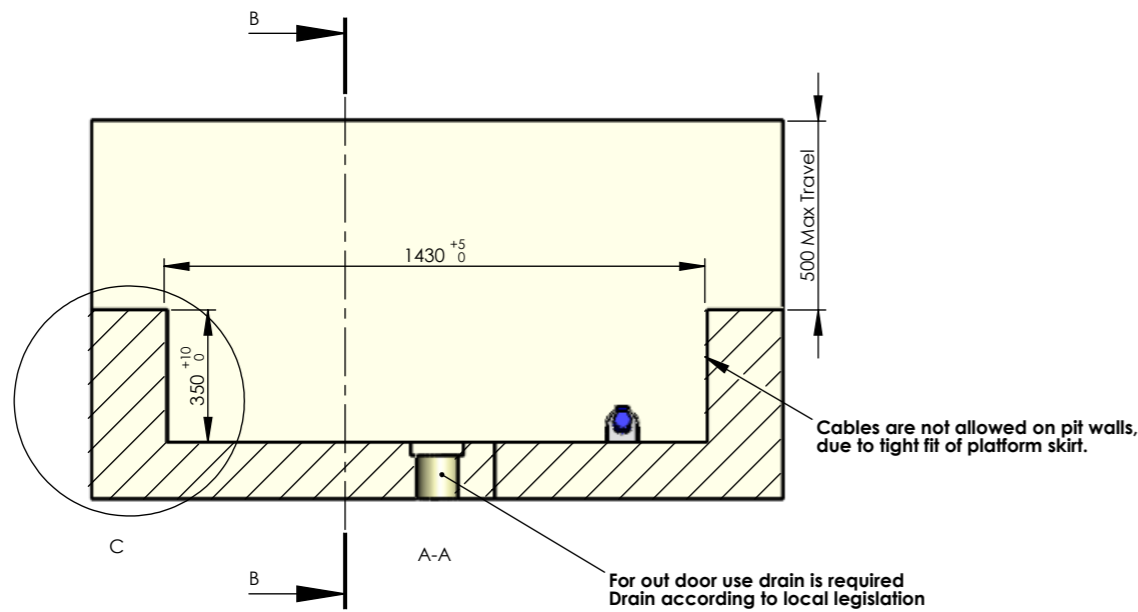


Platform in Top Position



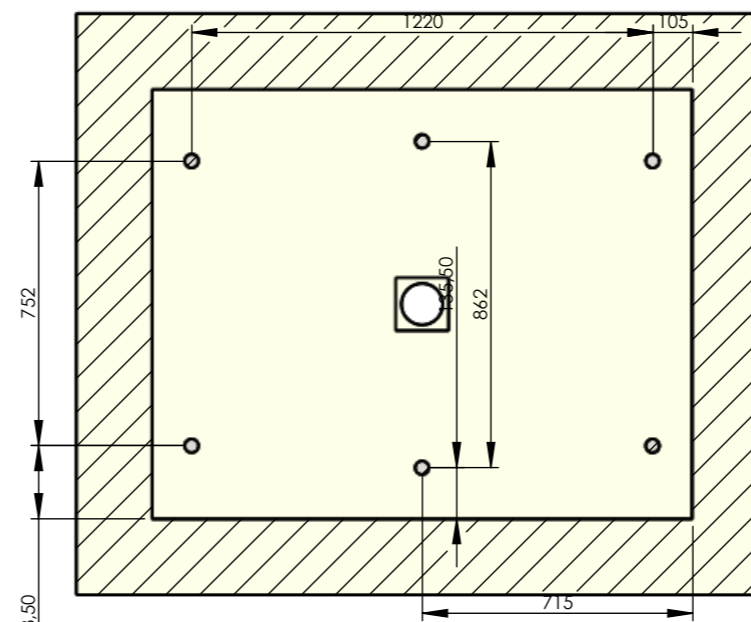
Platform in Low Position

Platform is flush with Ground Level



B-B

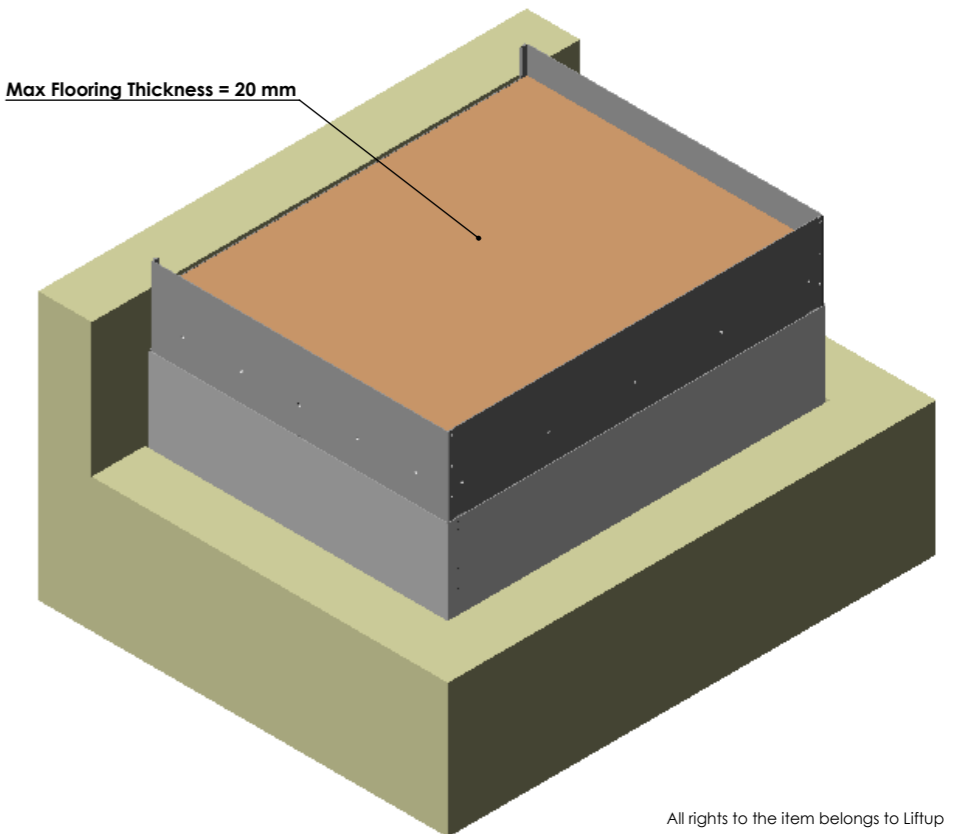
Platform support points



All 4 corners

CEE Wall Socket IP44 (Part no. 102126)
16 Ampere 3 Pole
Power connection 230 VAC 10 A
Position and type is important due to moving parts

Max Flooring Thickness = 20 mm



All rights to the item belongs to Liftup

Rev.	Revision description.	HDN 1100x1400: Long Side Exit, Travel > 200 mm		LIFTUP	
G	-	Created date:	Last change date:	www.liftup.dk	
F	-		27-02-2013	Tlf.: 9686 3020	
E	-	Material:	Tolerancer:	Sheet size	Item Number:
D	-			A3	102143
C	-	Finish:	Weight:		Version:
B	-				B
				Scale:	Drawn by:
				1:20	