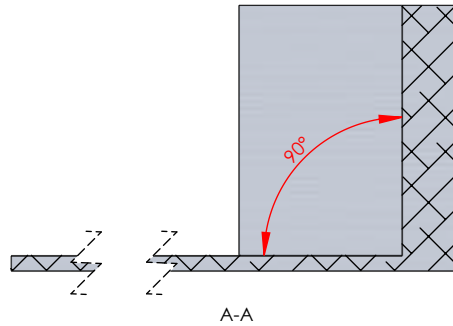
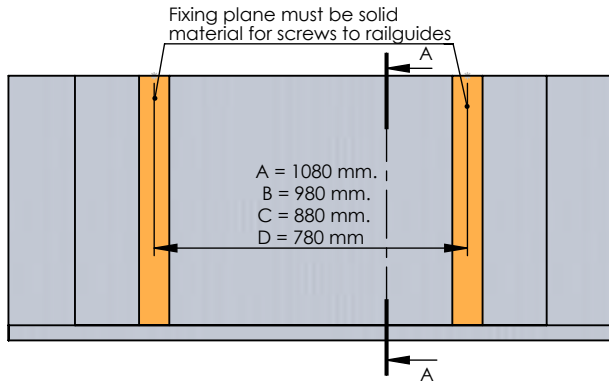


C-C = Distance between railguides; depending of step width of FlexStep

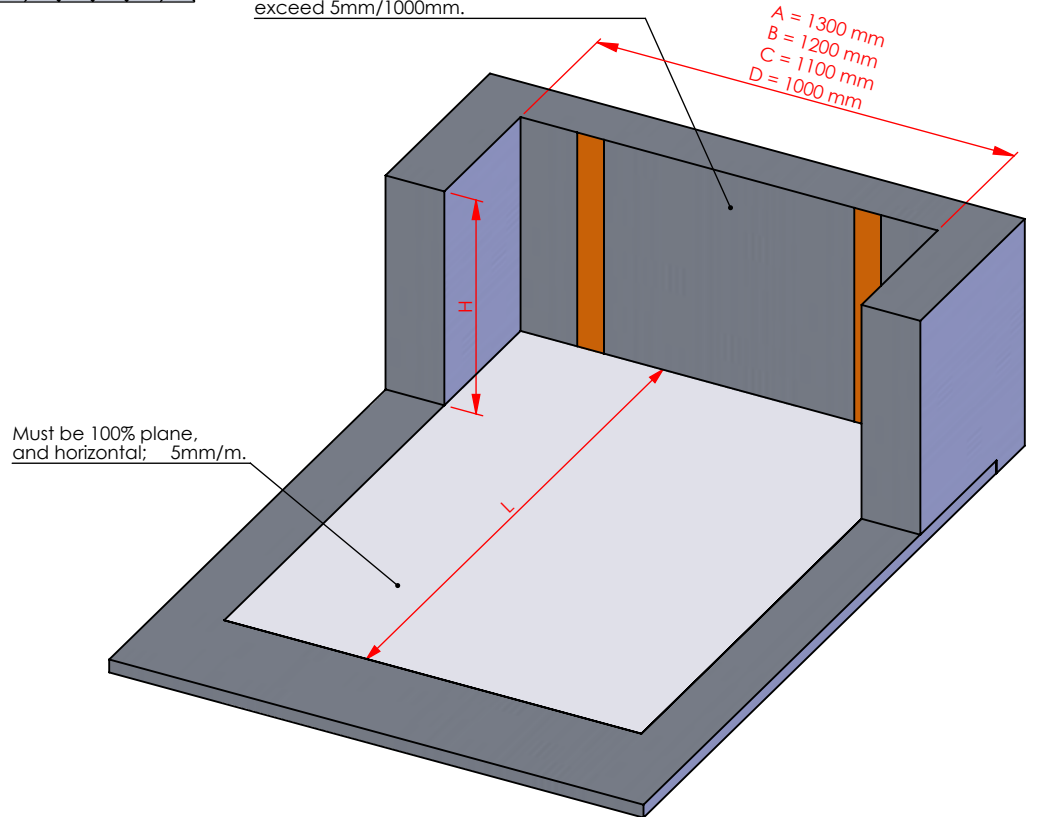
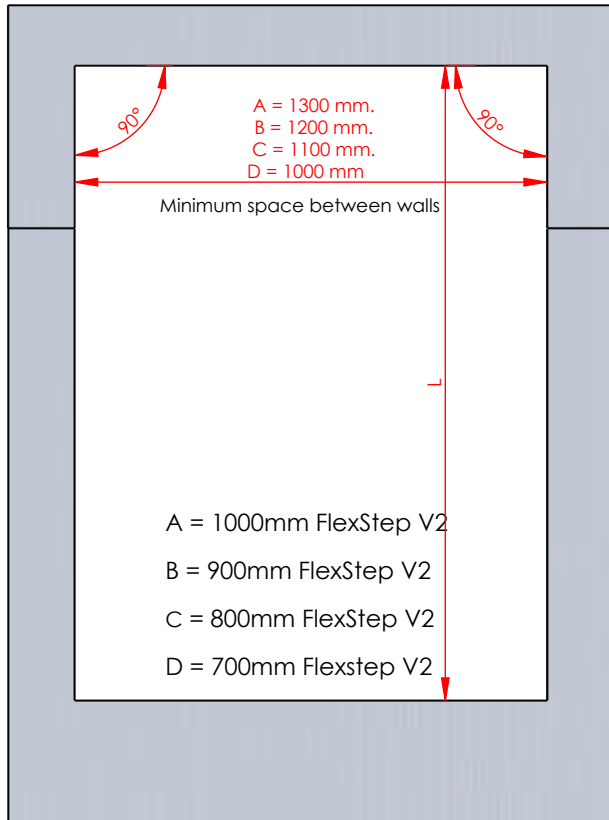


# FlexStep V2

H = Distance between upper & lower level.  
L = Distance between Wall and end of the ramp.

- 2 + 2 trin = 1400 mm.
- 3 trin = 1555 mm
- 3 + 1 trin = 1410 mm
- 4 trin = 1500 mm.
- 4 + 1 trin = 1735 mm
- 5 trin = 1765 mm.
- 6 trin = 2070 mm.

Surface must be plane and 100% vertical  
Tolerances of the vertical surface must not exceed 5mm/1000mm.



Rev.	Revision description.	Building spec. FlexStep V2			LIFTUP Hagensvej 21 9530 Støvring Tlf.: +45 96 86 30 20	
G	-	Created date:	Last change date:		Item Number:	Version:
F	-	<b>23-07-2018</b>	<b>07-08-2018</b>			
E	-	Material:	Tolerancer:	Sheet size	Scale:	Drawn by:
D	-	<b>mm</b>		<b>A4</b>		
C	-	Finish:	Weight:			
B	-	-				