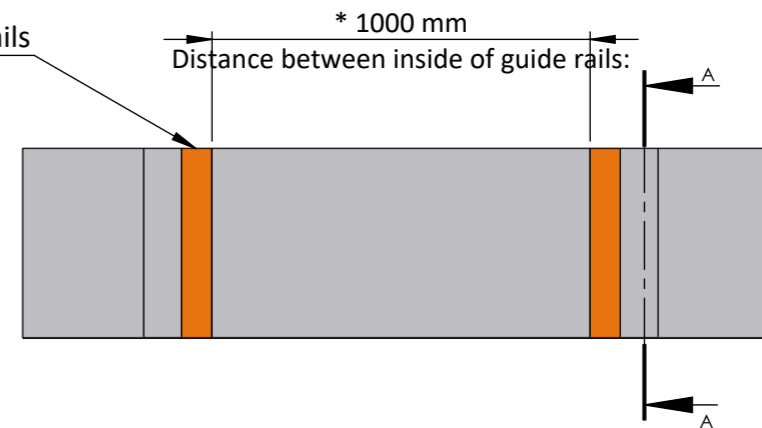
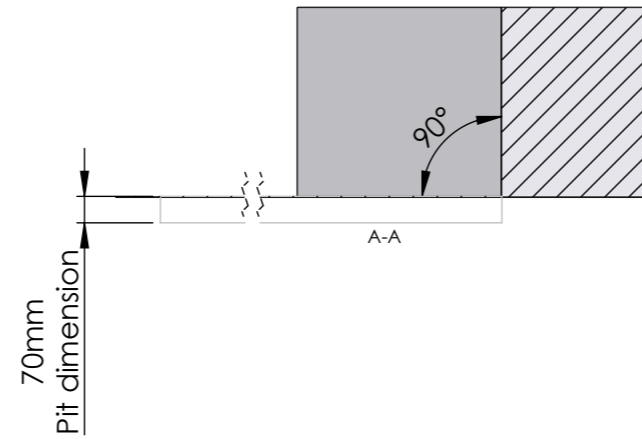
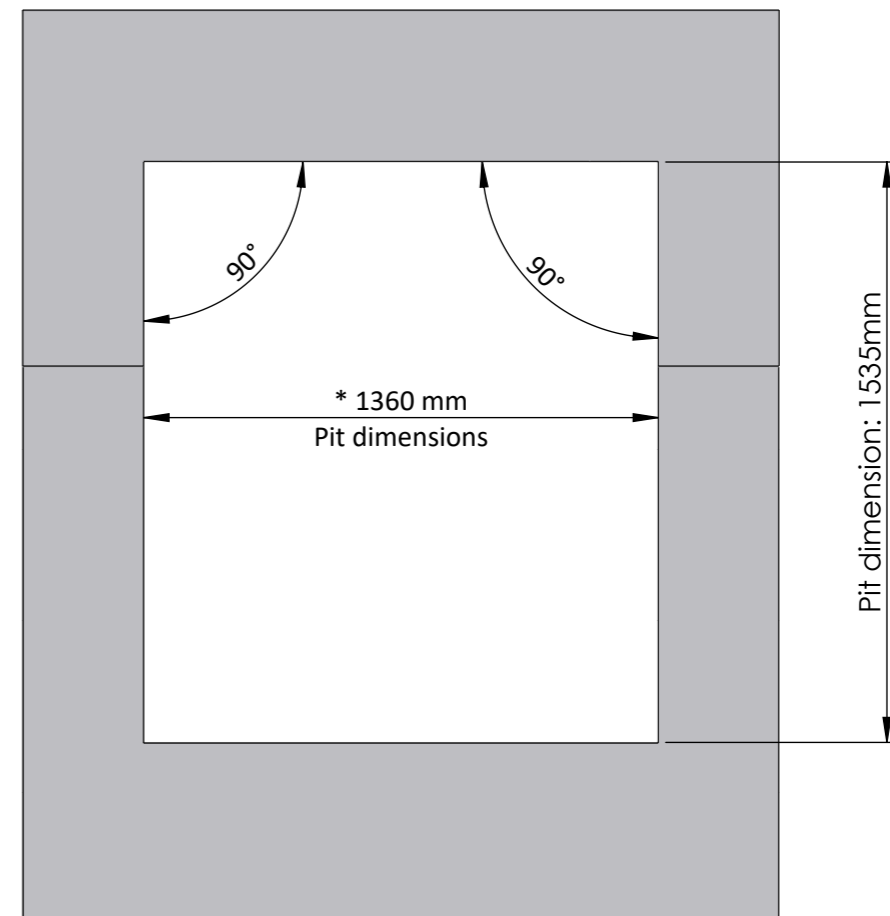
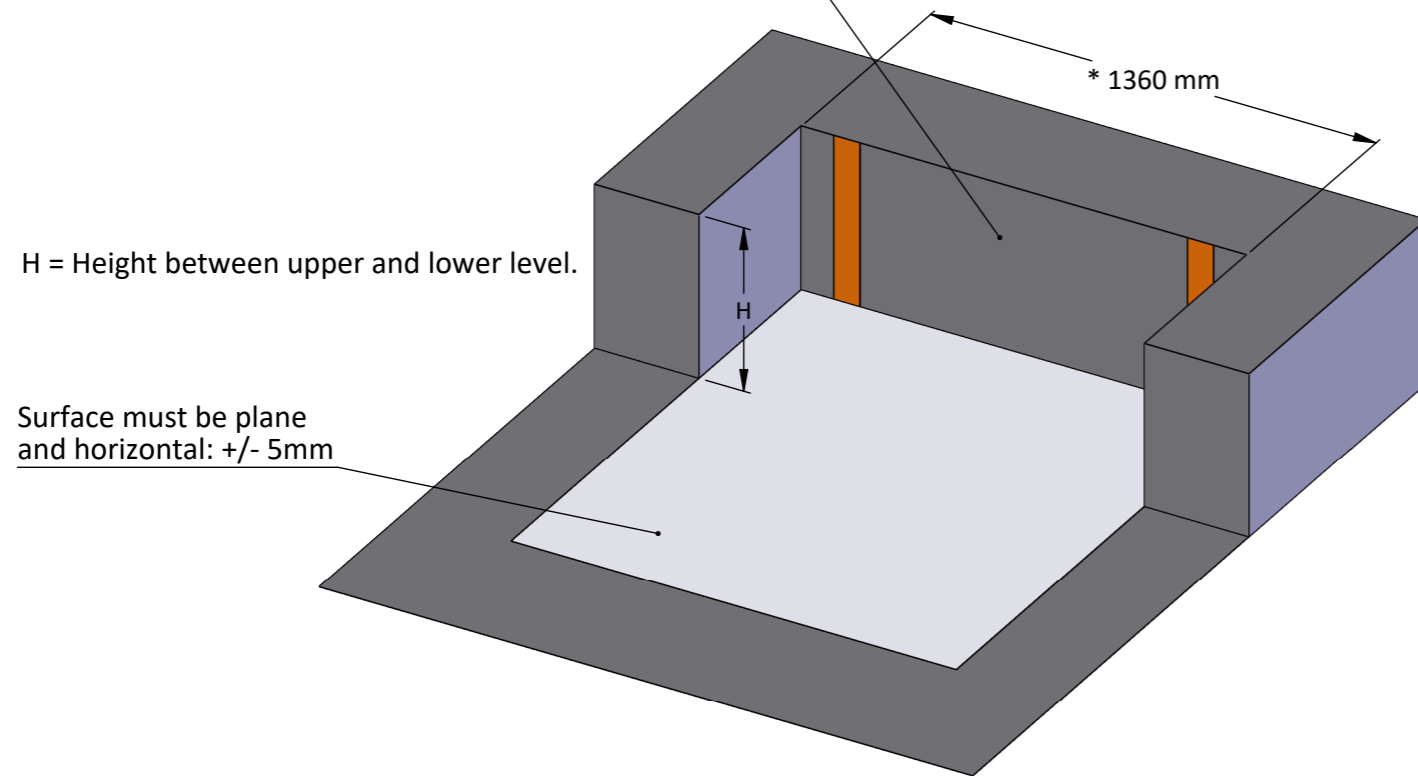


Fixing plane must be solid material for screws to guide rails



Surface must be plane and vertical



H = Height between upper and lower level.

Surface must be plane and horizontal: +/- 5mm

* Local building codes may apply

Alle rettigheder til emne tilhører Liftup

Rev.	Revision description.	EasyLift 1100 V3 PLUS in building		LIFTUP	
G	-	Created date:	15.01.2019	Last change date:	15-01-2019
F	-	Material:		Tolerancer:	Sheet size
E	-	- mm -		-	A3
D	-	Finish:	-	Weight:	-
C	-			Item Number:	107033
B	-			Scale:	1:20
				Version:	A
				Drawn by:	JGJ