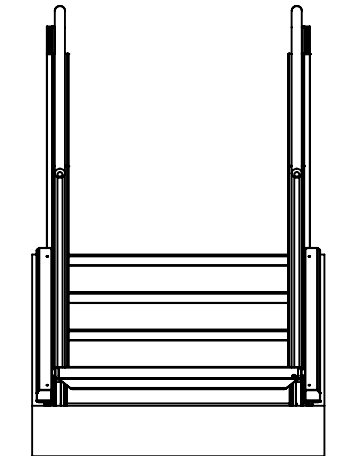
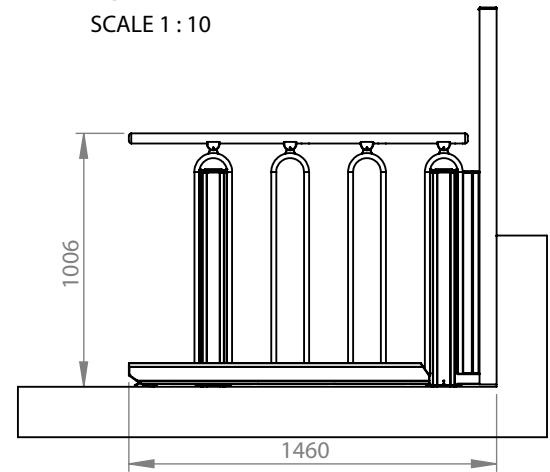
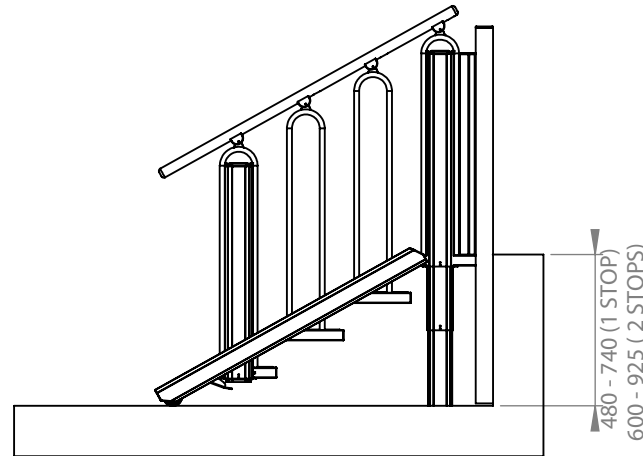

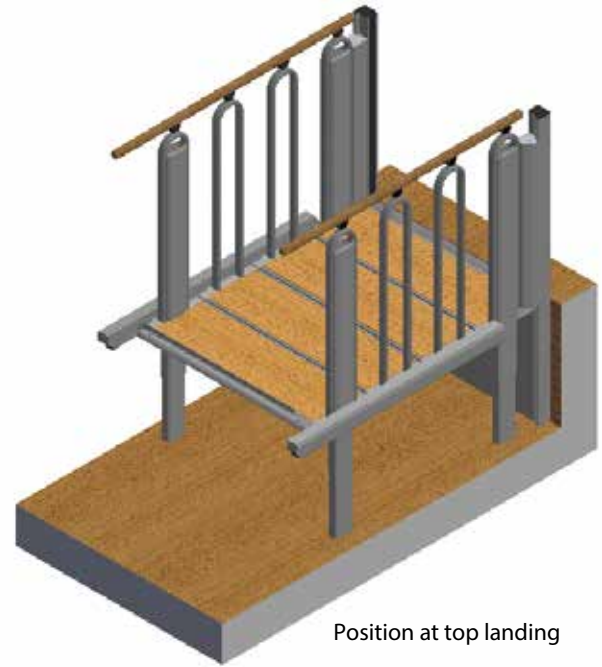


DETAIL A
SCALE 1:10

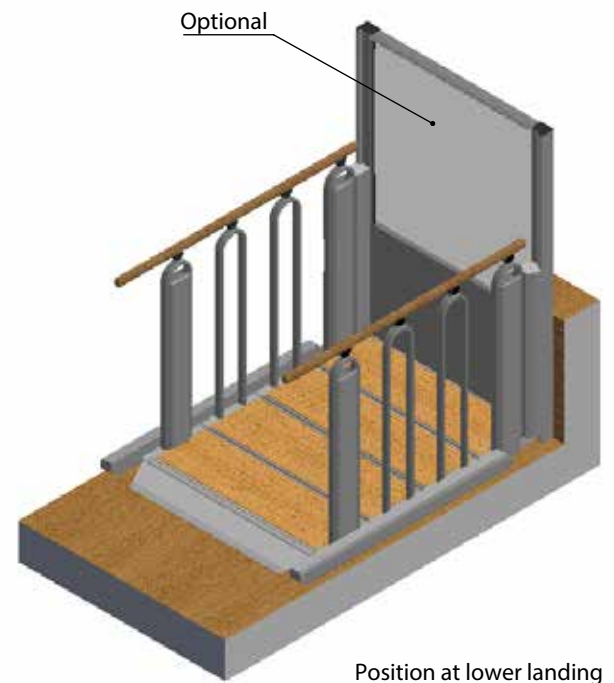


Minimum Installation Dimension
1000 mm (model 700 mm)
1100 mm (model 800 mm)
1200 mm (model 900 mm)
1300 mm (model 1000 mm)

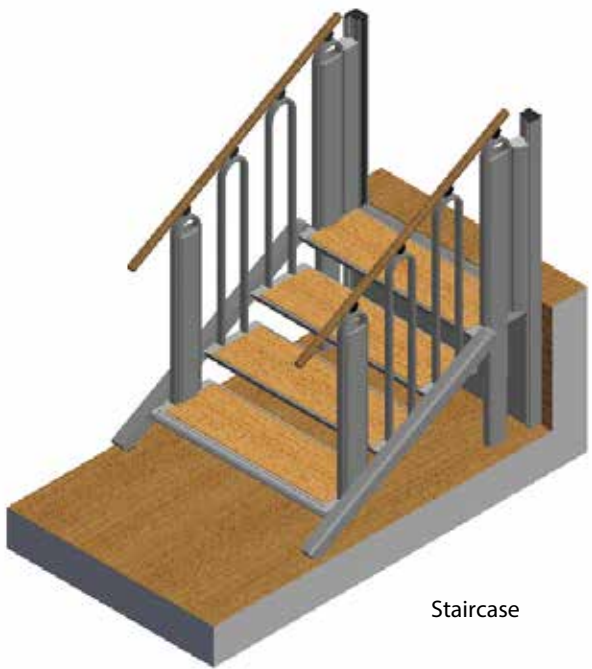
Specs.	Choice	Model:	4 STEPS		 Product Name FLEXSTEP V2
Installation	Indoor	Balustrade:	Round	Last change date: 23-03-2018	
Handrails	Oak	Lifting Capacity:	400 kg	Customer :	Scale: 1:30
Step Inserts	Oak	Drawn by:	MP		A4
Colour	Akzo Nobel 900				
Packing	Carton or Wood Pallet Box				
Op. Panel					




Position at top landing

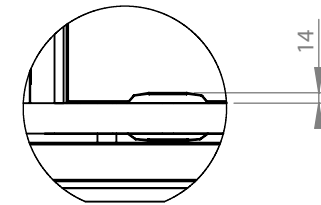
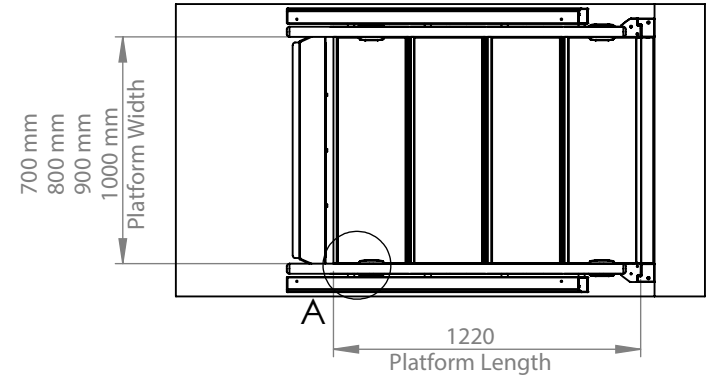
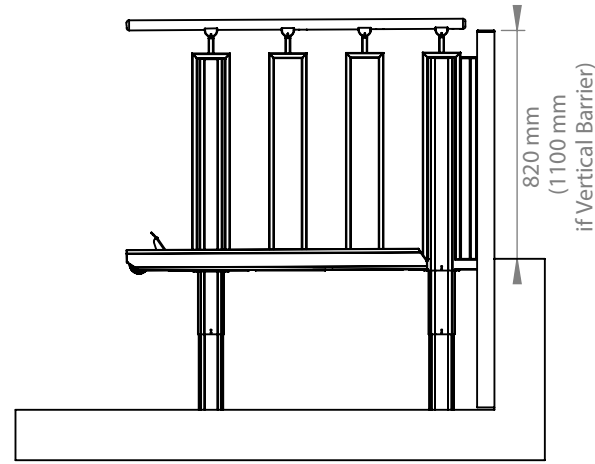
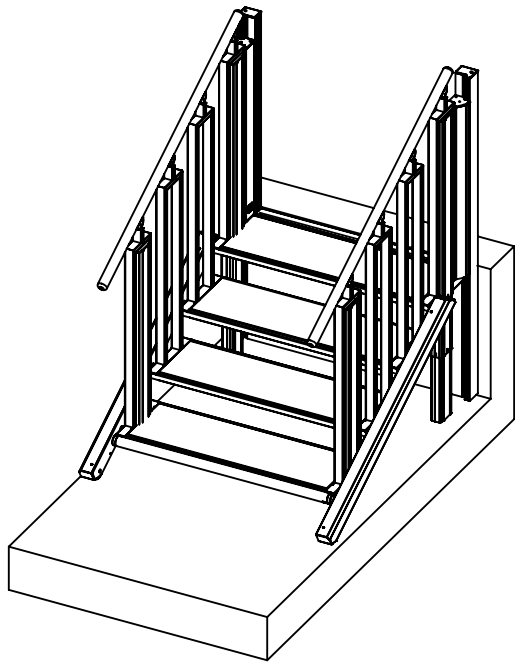


Position at lower landing

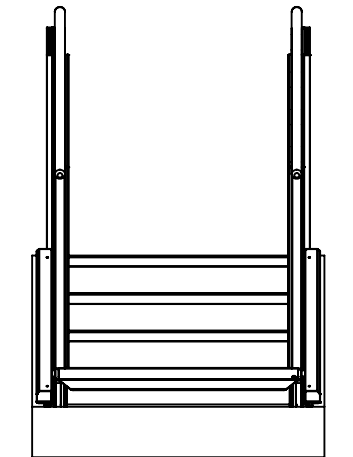
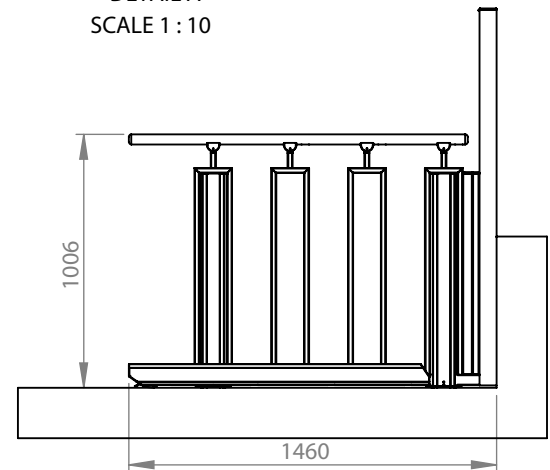
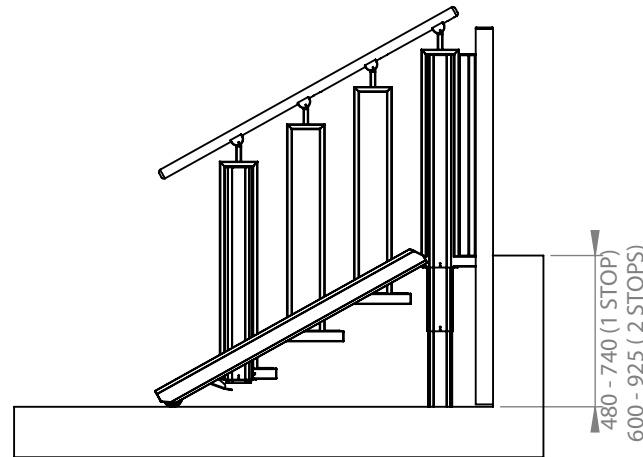


Staircase


Specs.	Choice	Model:	4 STEPS		
Installation	Indoor	Balustrade:	Round	Last change date: 23-03-2018	
Handrails	Oak	Lifting Capacity:	400 kg	Customer :	Product Name
Step Inserts	Oak	Drawn by:	MP		FLEXSTEP V2
Colour	Akzo Nobel 900				Scale: 1:30 A4
Packing	Carton or Wood Pallet Box				
Op. Panel					

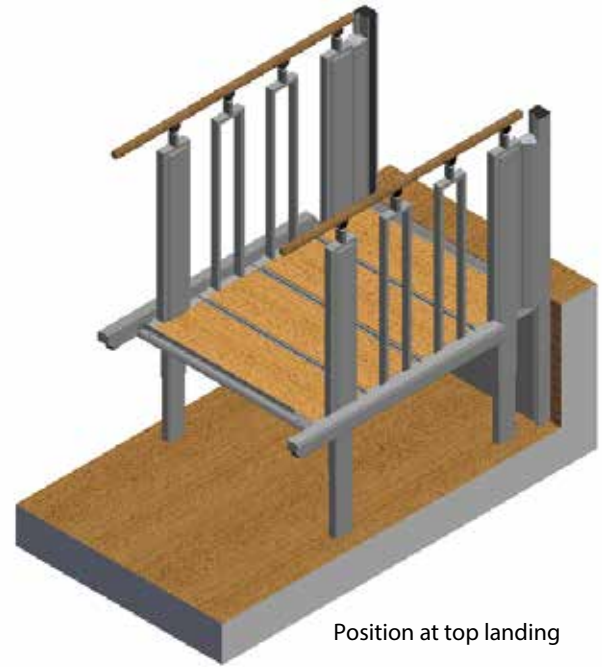


DETAIL A
SCALE 1 : 10

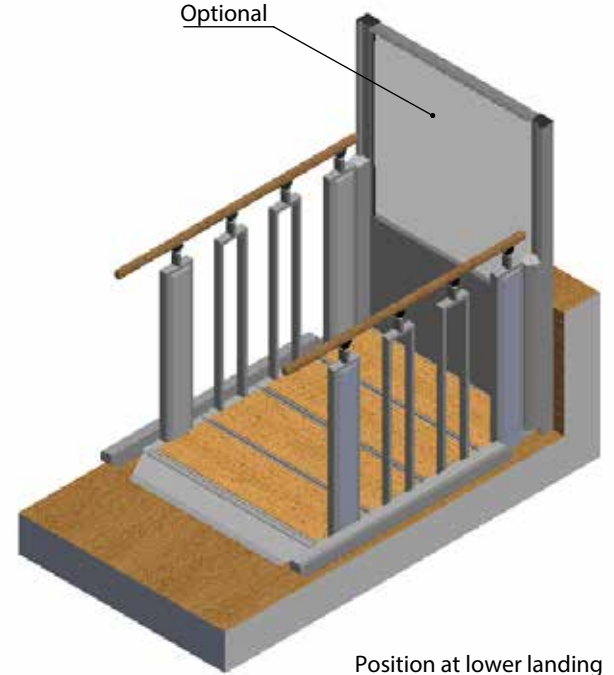


Minimum Installation Dimension
 1000 mm (model 700 mm)
 1100 mm (model 800 mm)
 1200 mm (model 900 mm)
 1300 mm (model 1000 mm)

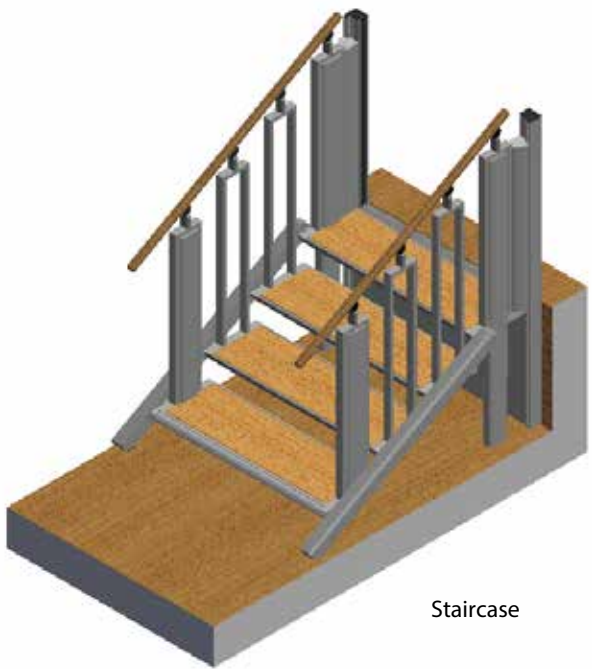
Specs.	Choice	Model:	4 STEPS	 Product Name FLEXSTEP V2
Installation	Indoor	Balustrade:	Square	
Handrails	Oak	Lifting Capacity:	400 kg	Customer :
Step Inserts	Oak	Drawn by:	MP	
Colour	Akzo Nobel 900			
Packing	Carton or Wood Pallet Box			Scale: 1:30
Op. Panel				A4




Position at top landing



Position at lower landing



Staircase

Specs.	Choice	Model:	4 STEPS		
Installation	Indoor	Balustrade:	Square	Last change date: 23-03-2018	
Handrails	Oak	Lifting Capacity:	400 kg	Customer :	Product Name
Step Inserts	Oak	Drawn by:	MP		FLEXSTEP V2
Colour	Akzo Nobel 900				Scale: 1:30 A4
Packing	Carton or Wood Pallet Box				
Op. Panel					