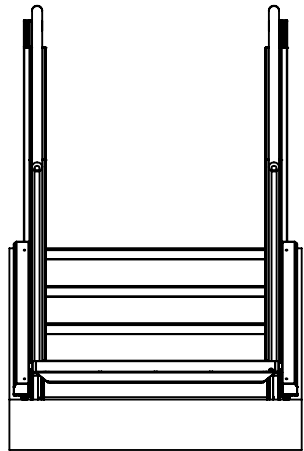
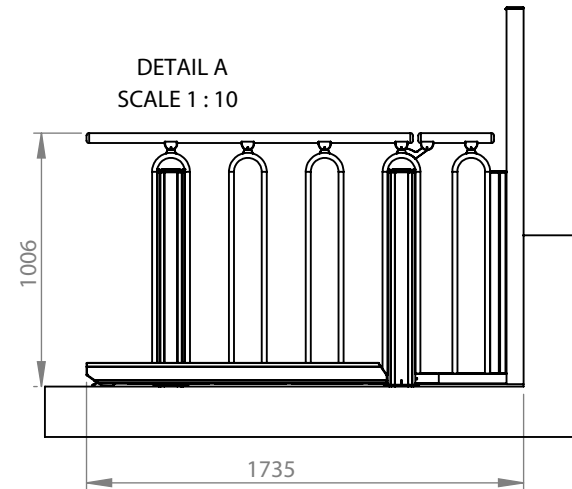
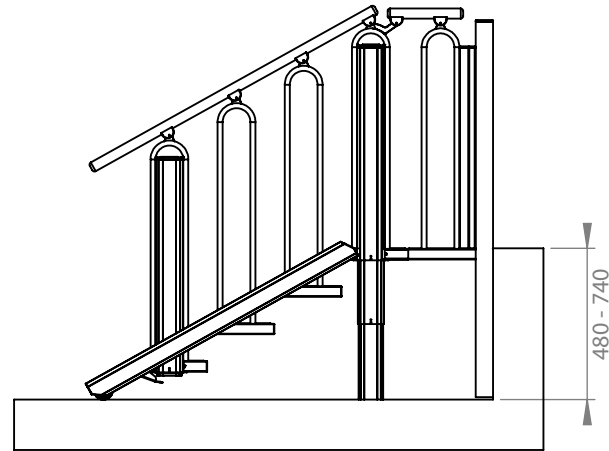



DETAIL A  
SCALE 1 : 10

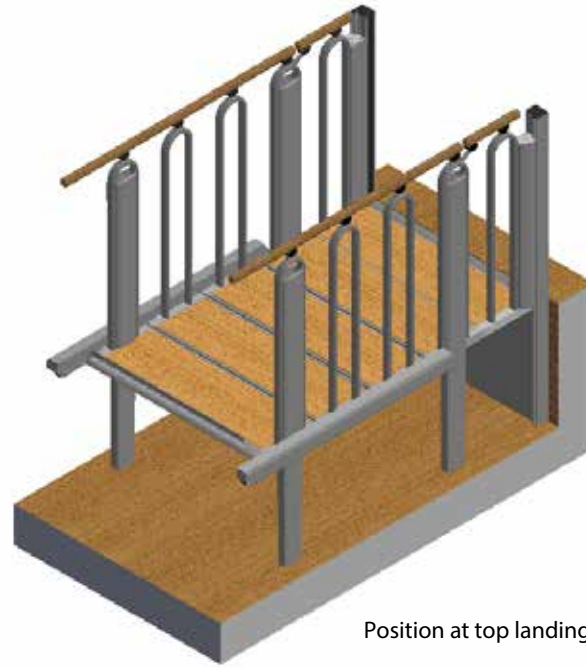


Minimum Installation Dimension

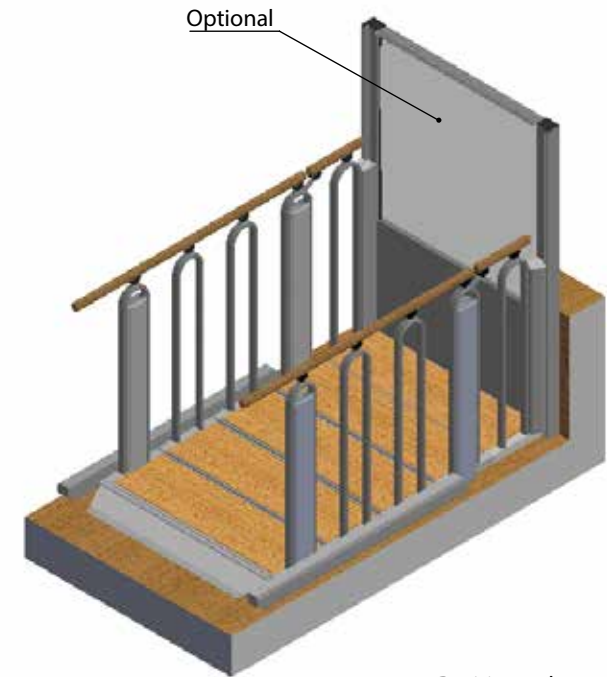
- 1000 mm (model 700 mm)
- 1100 mm (model 800 mm)
- 1200 mm (model 900 mm)
- 1300 mm (model 1000 mm)



Specs.	Choice	Model:	4+1 STEPS		
Installation	Indoor	Balustrade:	Round	Last change date: 23-03-2018	
Handrails	Oak	Lifting Capacity:	400 kg	Customer :	Product Name
Step Inserts	Oak	Drawn by:	MP		FLEXSTEP V2
Colour	Akzo Nobel 900				Scale: 1:30 A4
Packing	Carton or Wood Pallet Box				
Op. Panel					




Position at top landing

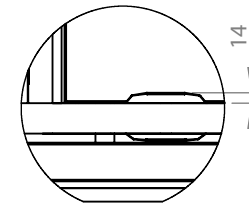
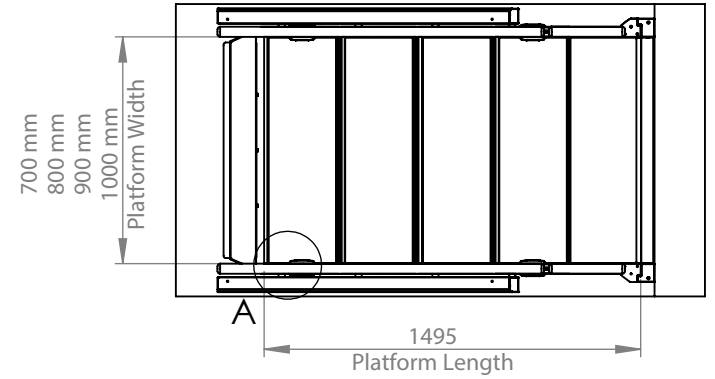
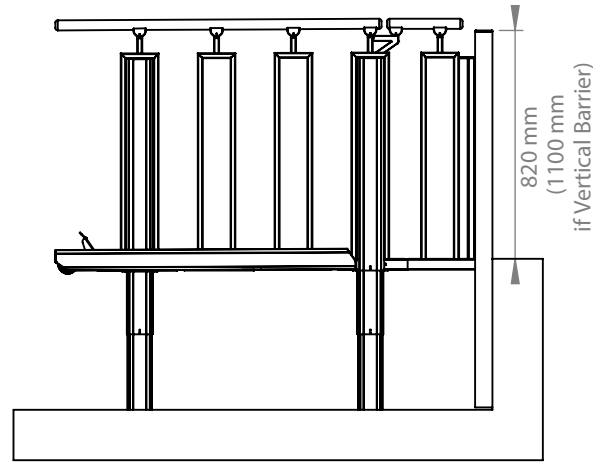
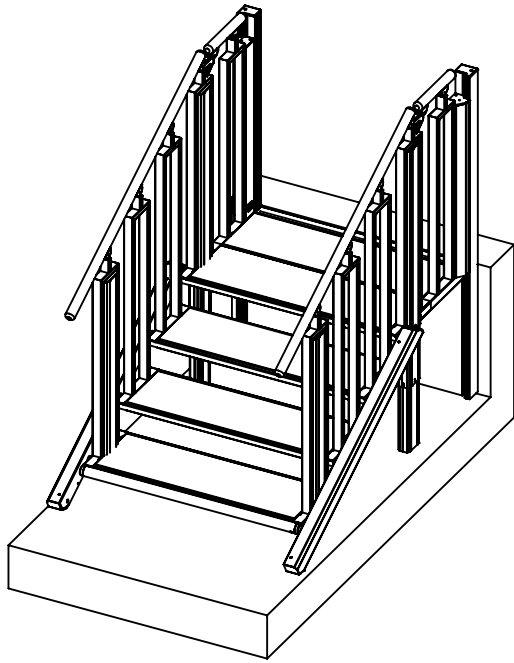


Position at lower landing

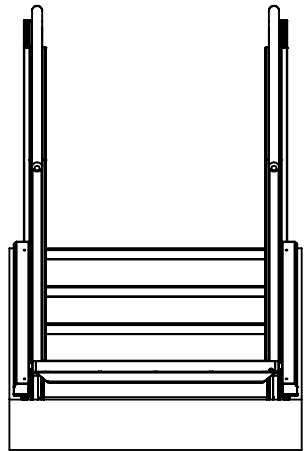
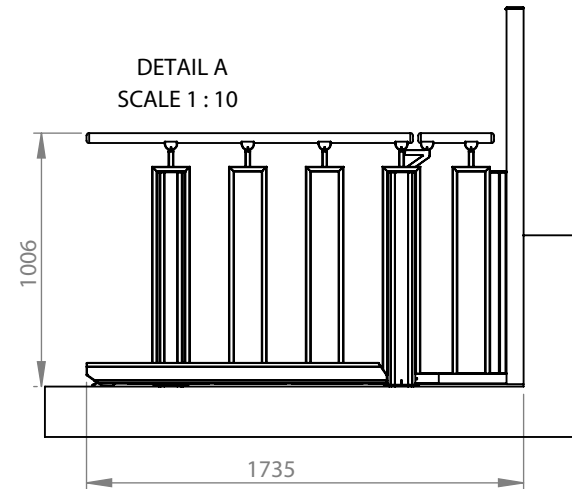


Staircase

Specs.	Choice	Model:	4+1 STEPS		
Installation	Indoor	Balustrade:	Round	Last change date:	
Handrails	Oak	Lifting Capacity:	400 kg	Product Name	FLEXSTEP V2
Step Inserts	Oak	Drawn by:	MP	Customer :	Scale: 1:30 A4
Colour	Akzo Nobel 900				
Packing	Carton or Wood Pallet Box				
Op. Panel					

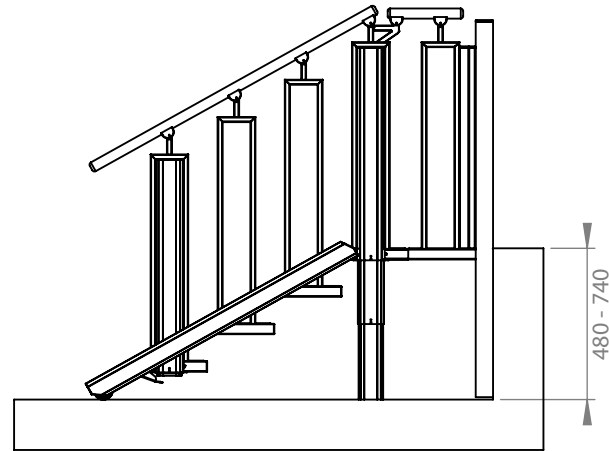


DETAIL A  
SCALE 1 : 10




Minimum Installation Dimension

- 1000 mm (model 700 mm)
- 1100 mm (model 800 mm)
- 1200 mm (model 900 mm)
- 1300 mm (model 1000 mm)

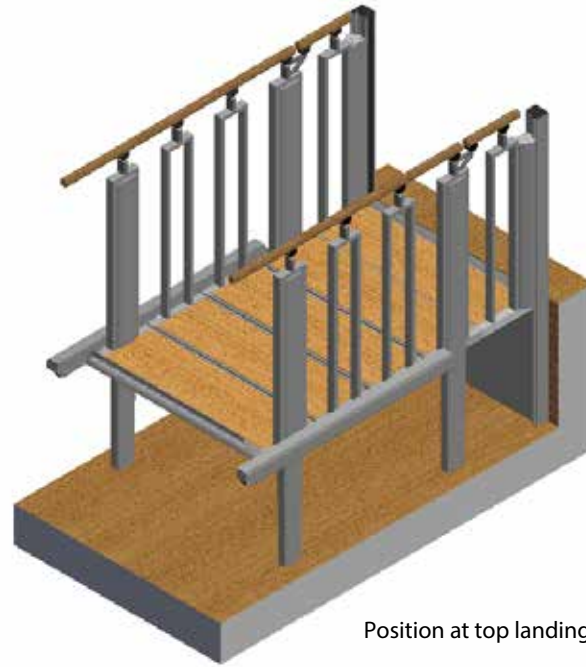


Specs.	Choice	Model:	4+1 STEPS	
Installation	Indoor	Balustrade:	Square	Last change date: 23-03-2018
Handrails	Oak	Lifting Capacity:	400 kg	
Step Inserts	Oak	Drawn by:	MP	Customer :
Colour	Akzo Nobel 900			
Packing	Carton or Wood Pallet Box			
Op. Panel				

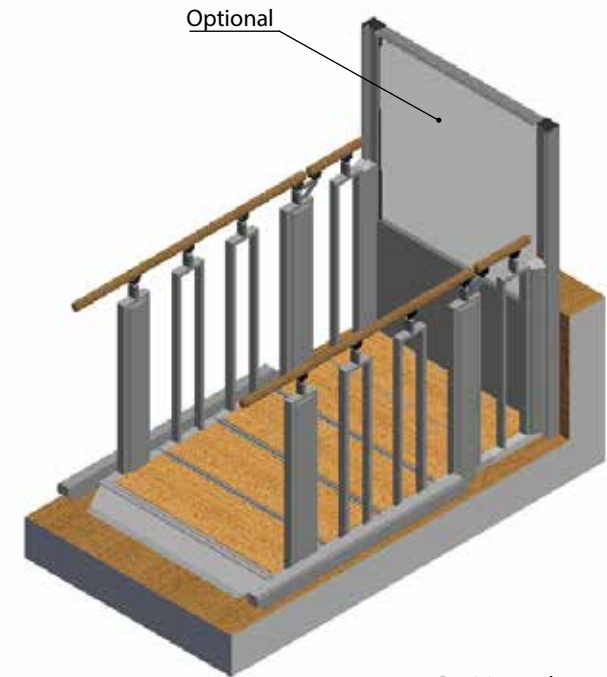


Product Name  
**FLEXSTEP V2**

Scale: 1:30 A4




Position at top landing



Position at lower landing



Staircase

Specs.	Choice	Model:	4+1 STEPS		
Installation	Indoor	Balustrade:	Square	Last change date:	
Handrails	Oak			23-03-2018	FLEXSTEP V2
Step Inserts	Oak	Lifting Capacity:	400 kg	Customer :	Scale:
Colour	Akzo Nobel 900	Drawn by:	MP		1:30
Packing	Carton or Wood Pallet Box				A4
Op. Panel					